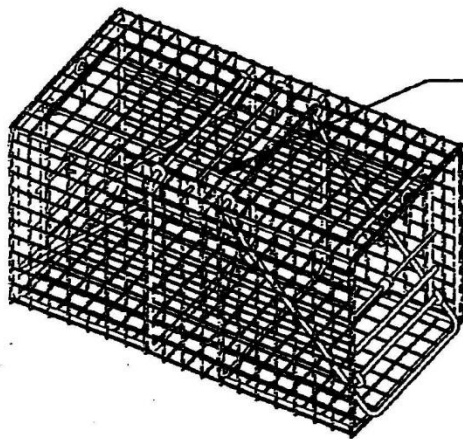
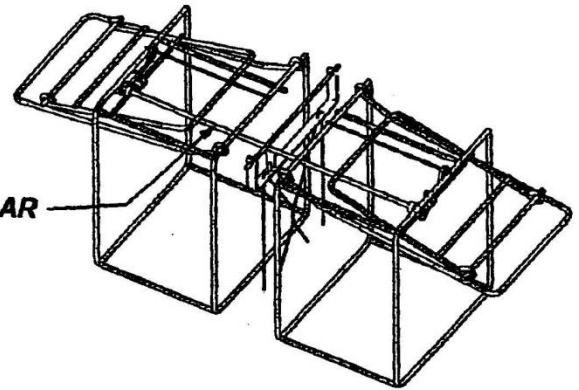


Comstock Beaver/Otter Trap Setting Instructions

1. Position the cage so that the TRIGGER BAR is closest to you with you standing or squatting facing that side of the trap.

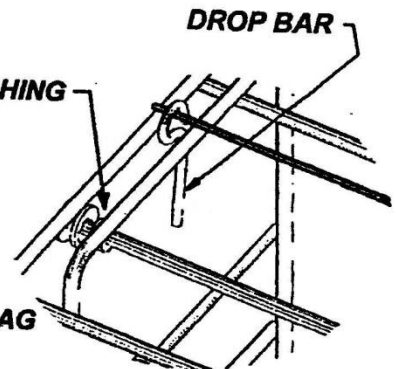


TRIGGER BAR

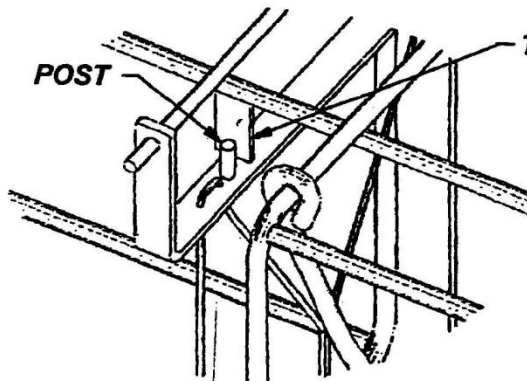


2. Release the DROP BARS at each end by lifting up slightly and swinging them free of the TRIGGER BAR BUSHINGS.

TRIGGER BAR BUSHING



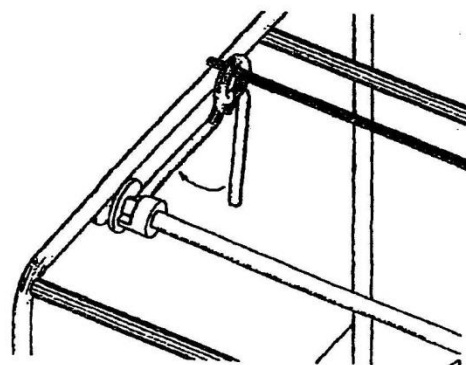
DROP BAR



TRIGGER BAR FLAG

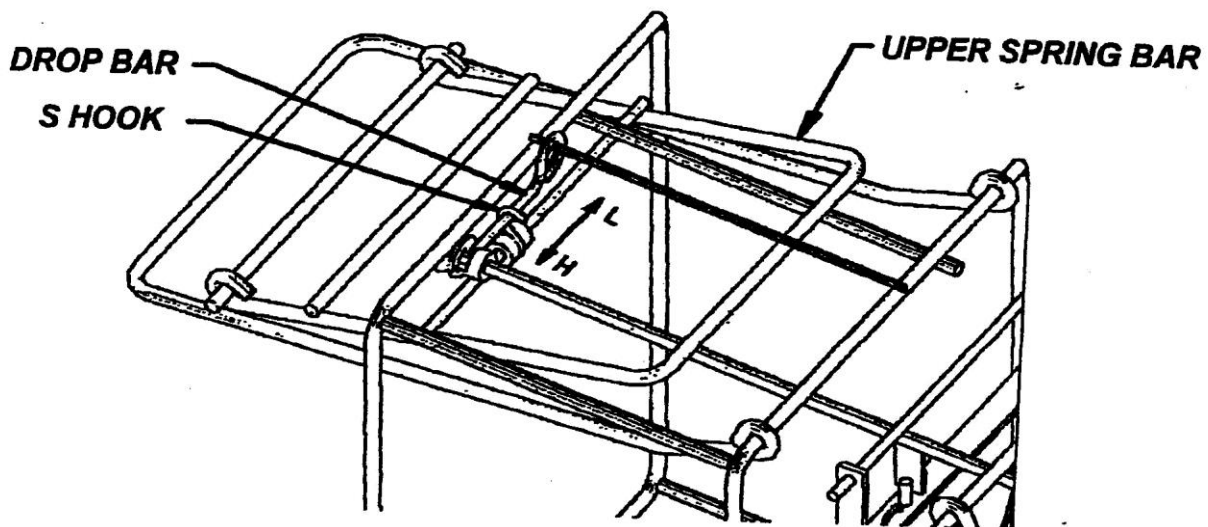
3. Reach through the mesh in the middle of the trap with a finger or pencil and swing the CENTER RELEASE GATE to one side or the other so the POST clears the FLAG on the TRIGGER BAR. Then position the CENTER RELEASE GATE so that it is positioned with the POST on the side of the flag on the TRIGGER BAR as shown.

4. The next step is to set the DROP BARS so that the ends are fitted into the flats provided for them on the TRIGGER BAR END BUSHINGS. If you press the upper spring bar on the door end towards the center of the trap with a thumb it will provide additional clearance that makes it simple to set the DROP BAR in place.



Comstock Beaver/Otter Trap Setting Instructions

5. Hold the trap down and push the upper spring bar on the door towards the middle of the trap with your thumb about 2 or 3 inches. This bar acts as a locking feature so that the door cannot be forced open and you have to start it inward at the top in order to fully open the door. Once you've moved it far enough, you can then lift the door to the full open position. Hold the door open and then position the S HOOK as shown on the DROP BAR to lock the door open. NOTE: Positioning of the S HOOK on the DROP BAR controls the resistance of the CENTER RELEASE GATE. If you set the S HOOK near the end of the DROP BAR where it fits into the TRIGGER ROD BUSHING it will cause more resistance in the movement of the CENTER RELEASE GATE. If you set the S HOOK close to the pivot there will be less resistance in the movement of the CENTER RELEASE GATE. Once you have one door set then rotate the trap and proceed with doing the same things to set the second door.

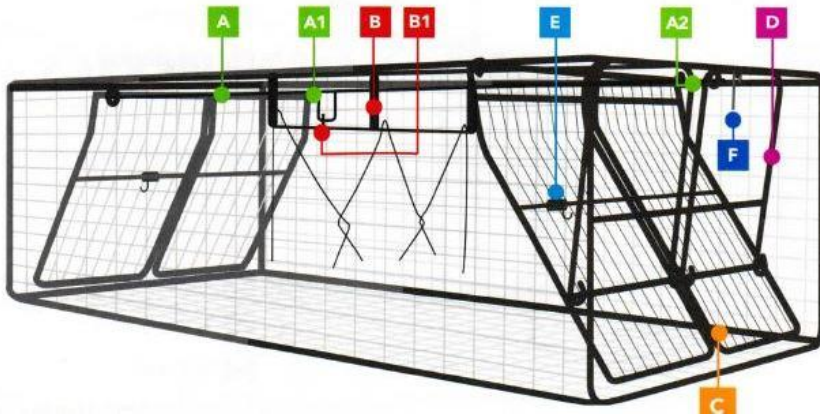


Single Door Usage with Double Door Trap:

With the older traps that feature a TRIGGER ROD BUSHING that is made up of a half hex nut and full hex nut joined together it is necessary to insure that the UPPER SPRING BAR on the closed door does not interfere with the full hex nut portion of the bushing. To do this make sure that the UPPER SPRING BAR is in the fully returned position and positioned in the notch cut to receive the DROP BAR. On newer traps with a TRIGGER ROD BUSHING that is fully rounded there is no need to check the position of the UPPER SPRING BAR because it won't interfere with this new style of bushing.

Comstock Beaver/Otter Trap Setting Instructions

LEGEND



- A** Trigger Rod
- A1** Trigger Stop
- A2** Trigger Pin Cradle
- B** Swing Bar
- B1** Swing Bar Rest
- C** Spring Loaded Doors
- D** Latch Door
- E** Door Hook
- F** Trigger Pin