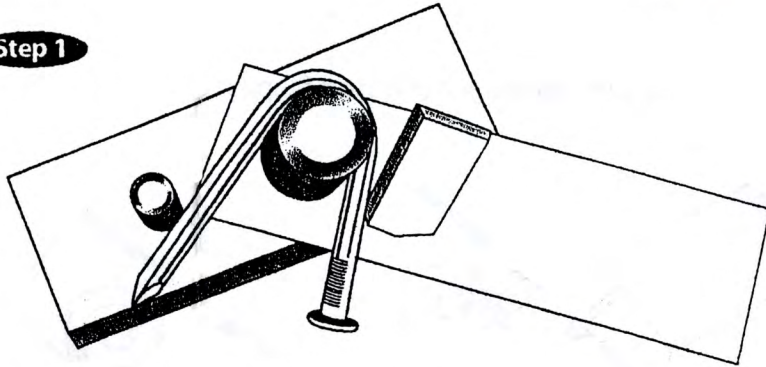


## Sterling Type Swivels

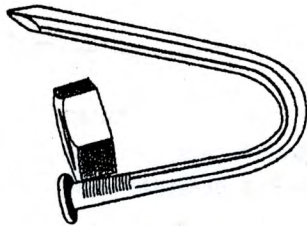
**Important!**  
Use 20 penny nails

**Step 1**



Put the nail into the bender at about the halfway mark. Bend nail 180 degrees for the first part of the swivel.

**Step 2**



Weld a 5/16" nut to one side. Put a J hook in and you have the swivel made. Attach to a chain and weld shut.

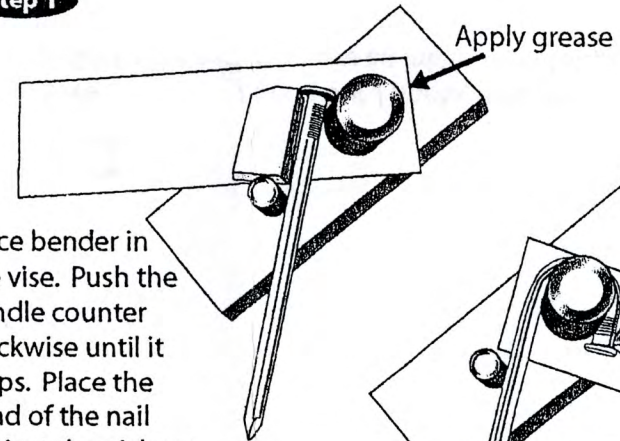
**Note**

Save the clippings off your J hooks, weld them to 5/16 nuts and you have an inline swivel also

## S HOOKS

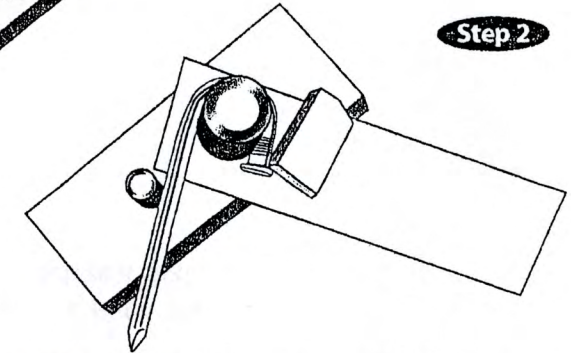
**Important!**  
Use 20 penny nails

**Step 1**



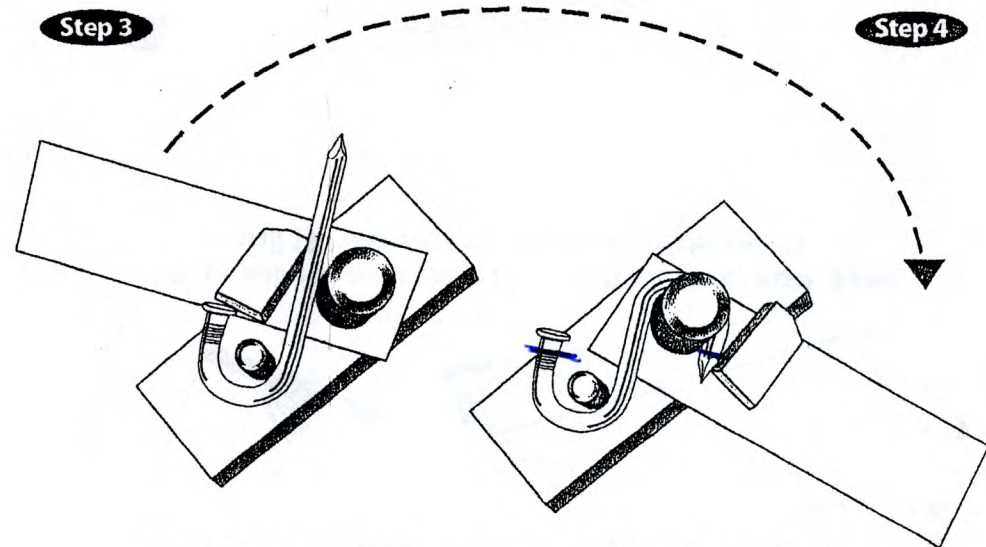
Place bender in the vise. Push the handle counter clockwise until it stops. Place the head of the nail against the pick up.

**Step 2**



Pull handle till the nail forms the first curve of an "s". The nail will be at a 180 degree bend.

**Step 3**



**Step 4**

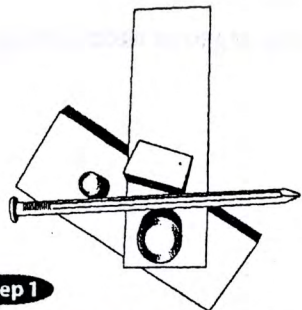
Flip nail over the holding post and pull handle until it stops



[www.ShopWCS.com](http://www.ShopWCS.com)

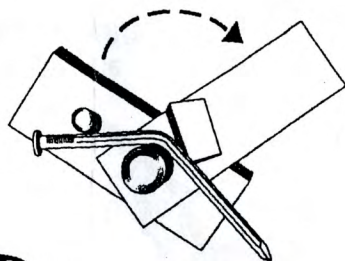
## BASE PLATES

**Important!**  
Use 20 penny nails



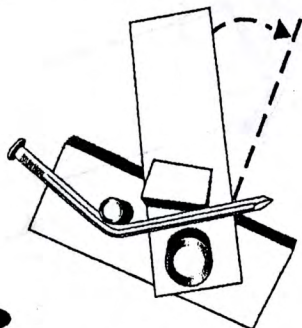
**Step 1**

Place nail close to center on the anvil



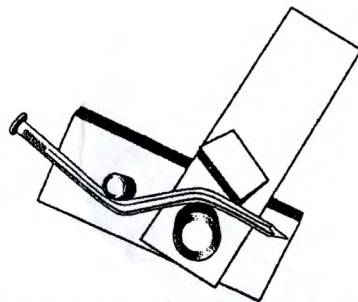
**Step 2**

Pull handle until the nail is at about a 45 degree angle



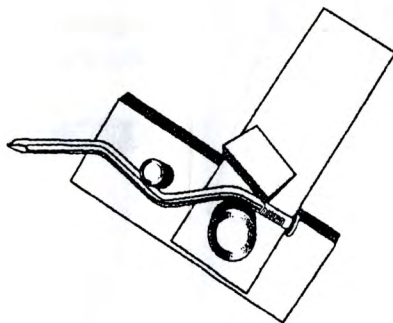
**Step 3**

Place V on holding pin, then pull handle to approximately a 22.5 degree angle



**Step 4**

Flip nail over and repeat step 3



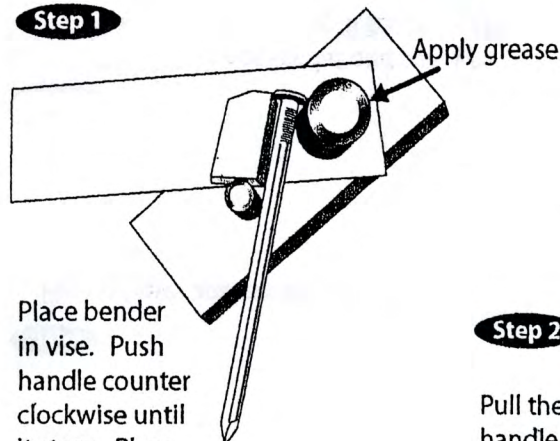
**Note**

If nail does not lay flat on base, you can tweek each side until it does lay flat

## J HOOKS

**Important!**  
Use 20 penny nails

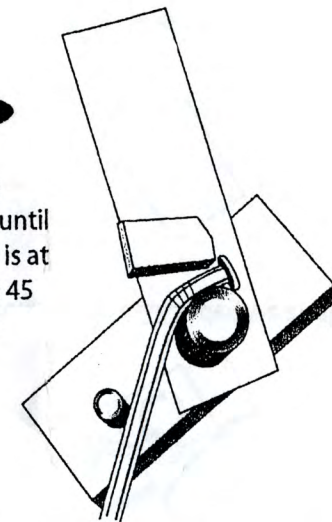
**Step 1**



Place bender in vise. Push handle counter clockwise until it stops. Place head of the nail against the pick up.

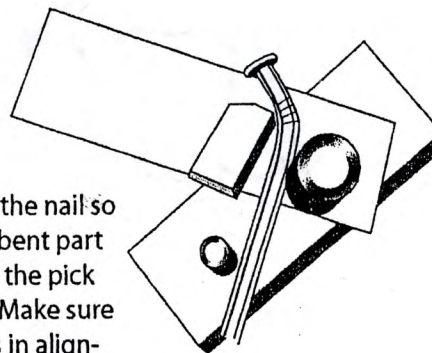
**Step 2**

Pull the handle until the nail is at about a 45 degree angle.



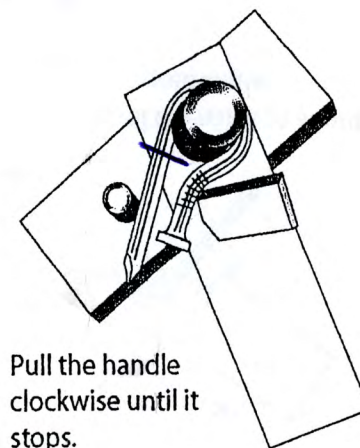
**Step 3**

Flip the nail so the bent part is at the pick up. Make sure all is in alignment or the angle of the J will be off center.



**Step 4**

Pull the handle clockwise until it stops.



**Step 5**

Clip off excess of nail to finish.



[www.ShopWCS.com](http://www.ShopWCS.com)