

# Serious Vent System Protection Against Bird and Squirrel Entry

## The DEFENDER

## Premium Vent Cover

### Superior Pest Protection



Birds and squirrels can be persistent in making a home inside your house. The Defender keeps them out.



Defense Against Squirrel and Bird Entry

Model DFR8

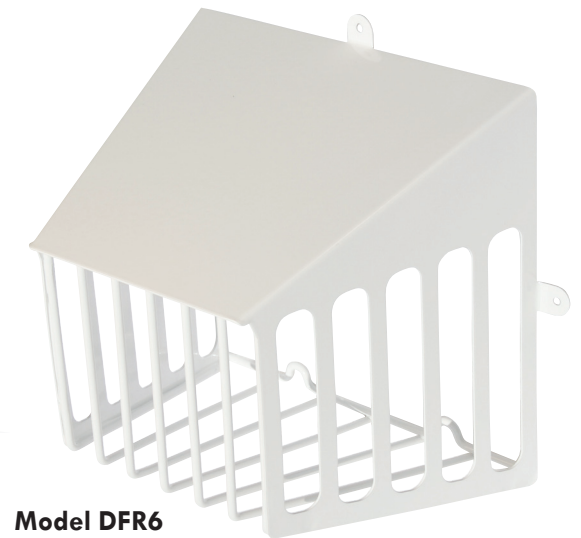
### Lasting Performance

Zinc coated steel that is also powder coated delivers lasting protection for existing terminations. Vertical bars keep creatures out while minimizing lint buildup and making it easy to clean.

Three sizes—with inner dimensions of 6.5, 8 and 11.5 inches—allow for an exact fit and universal application so the vent termination is aesthetically pleasing. Extra fastener holes make installation quick and easy: it can be attached with as few as two screws and is easy to remove for vent cleaning.



- Provides an Extra Level of Weather Protection
- Deters Bird and Squirrel Entry
- Helps Hide Unsightly Vents
- Works on all Siding Types
- Available in White, Tan and Brown

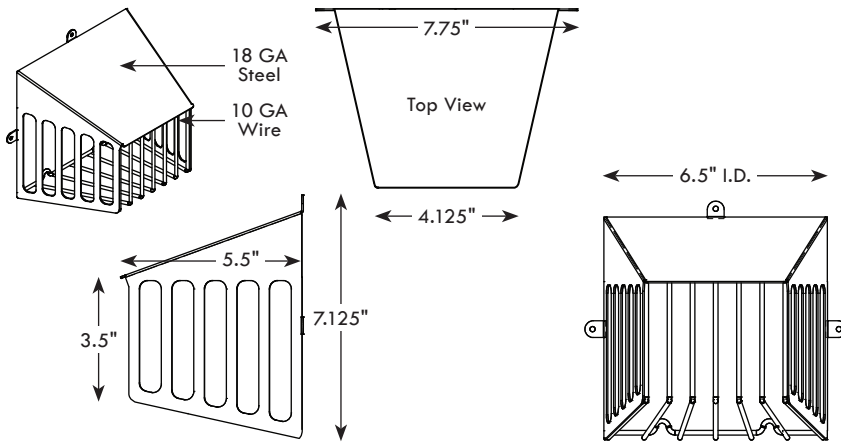


Model DFR6

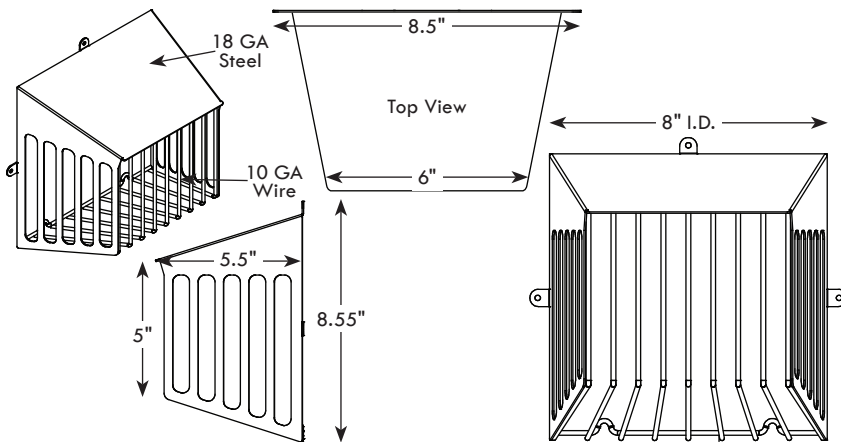


Model DFR11

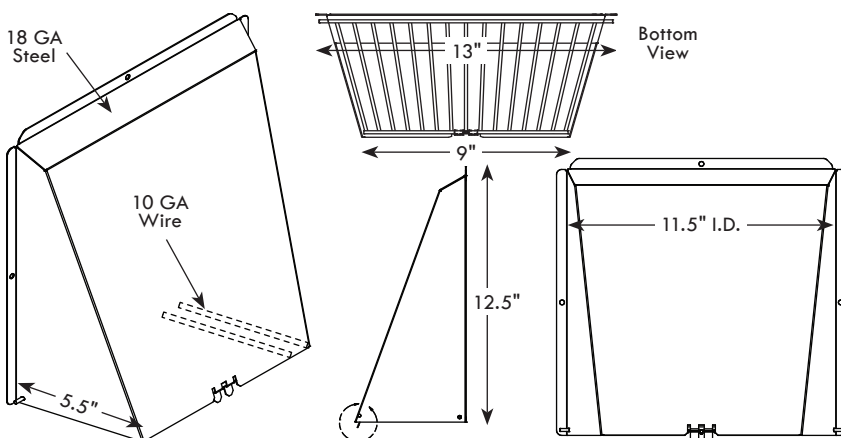
### The Defender Model DFR6



### The Defender Model DFR8



### The Defender Model DFR11



Model	Applications
<b>DFR6</b>	6.5" inner diameter vent cover for small sized exhaust terminations
<b>DFR8</b>	8" inner diameter vent cover for medium sized exhaust terminations
<b>DFR11</b>	11.5" inner diameter vent cover with hinged bottom grate bars for large exhaust terminations

#### Performance Data

##### For Use:

- Extra Layer of Pest Protection for Exhaust Systems
- Complies with IMC 504.4 & IRC 1502.3

##### Material:

- 18 gauge zinc & powder coated steel hood
- 10 gauge zinc & powder coated steel bars

US Patent 8,845,405

#### General Information

##### Benefits:

- Deters Bird and Rodent Entry
- Hides Unsightly Vents
- Works on all Siding Types
- Extra Weather Protection
- Easy Installation and Removal for Cleaning

##### Features:

- Heavy gauge zinc & powder coated steel
- Sized for Universal Applications
- Fits over 3, 4, 5, 6 and 8" Vents
- Extra Fastner Holes for Easy Installation

 **Made in the USA**

U.S. Patent 8,845,405