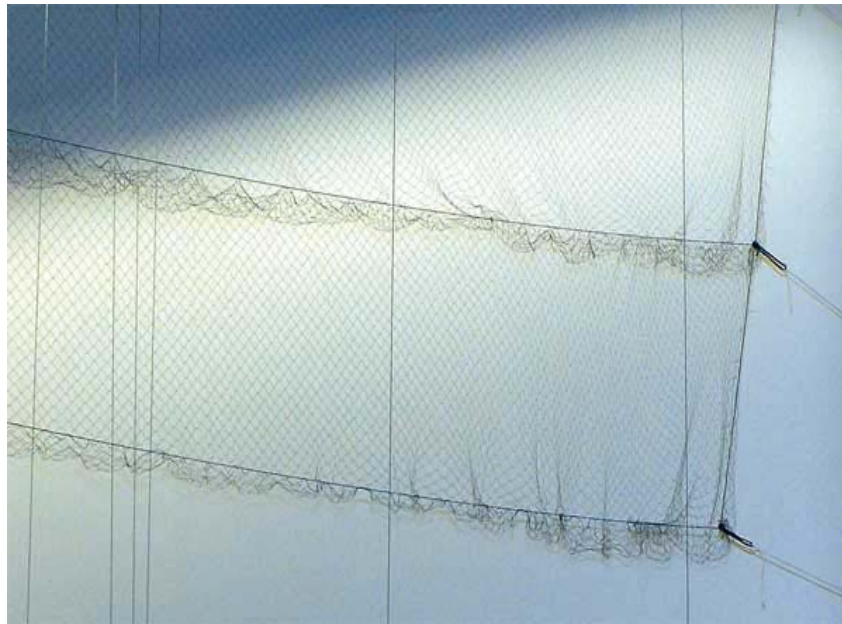




P.O. Box 538  
East Granby, CT 06026  
Ph: (860) 844-0101  
[www.WildlifeControlSupplies.com](http://www.WildlifeControlSupplies.com)

## *Product Overview*

A **Mist Net** is designed for attended capture of smaller birds such as starlings, sparrow and pigeons. WCS carries three sized Mist Nets, the 10' x 20', 10' x 30' and the 10' x 40'. All of the nets are ½" mesh and are made of nylon material. Typically the 10' x 20' would be used for sparrow sized birds and the 10' x 30' or the 10' x 40' would be used for starlings and pigeons. However, any of the nets will work for the birds mentioned so the area to be covered may be the determining factor for the net length. The net has a border cord threaded around the perimeter with a loop at each corner. There are also 3 horizontal cords used to form the pouches (or pockets) running approx. equal distances across the net. Each cord has a loop at each end.



When birds fly into the net, they lose air speed and control. When this happens, they typically tumble down the net, into the pouches where they remain until removed.

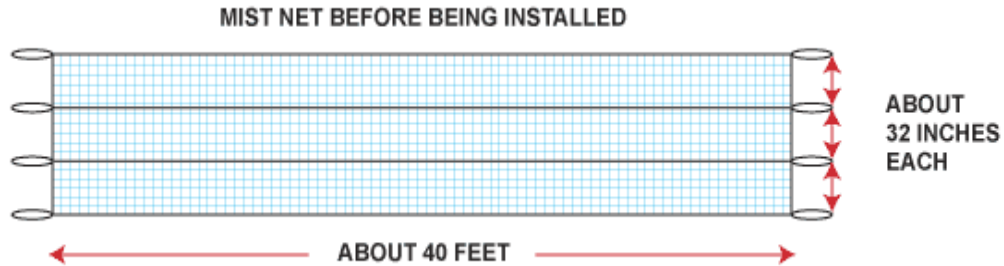
To effectively catch pest birds, the net must be installed with the creation of pouches (or pockets). The Mist net should be installed rather loosely so that the pouches are formed (see example above), it should not be stretched tightly.

***NOTE: Mist nets should only be used for catching pest birds and should not be used for the capture of endangered or protected species.***

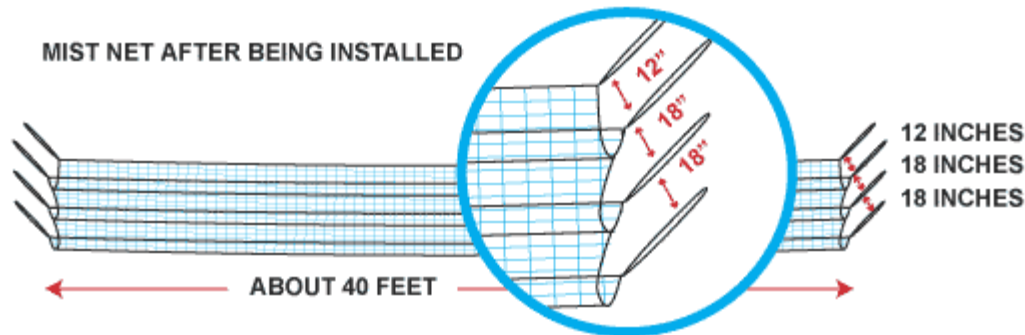
Mist Nets should not be left unattended as caught birds should be removed as quickly as possible. If correctly fitted, Mist Nets should not cause harm or injury to the birds.

**Installation instructions: (Diagrams below are for the 40' length but principle is the same for 20')**

After unfolding you will find that the Mist Net is divided into 4 panels with 5 loops on each side at the end of the horizontal cords. The objective is to create pouches (or pockets) in the net by raising the lower loops then tying them off.



By raising loops 2, 3, 4 and 5 on each side, you create pouches (or pockets) that the birds tumble into after hitting the net. Birds that hit the net don't typically get entangled. After hitting the net they lose air speed and usually tumble into the pouches created during installation.



Where many birds are congregating at a location, some will be caught but others seeing this happen, may recognize it as an area of danger and avoid that area. To catch the remaining birds it may be necessary to move the Mist Net or install multiple nets in the various flight paths of the birds. In facilities where roof joists are exposed, it may be necessary to block these temporarily to force birds to change their flight path into the area where the nets are installed.

Mist nets should be placed in the flight paths of birds and not near other surfaces where you see that they typically land.