



Versatile, Tough Roof Duct Connector

Installation Instructions

Step 3:
The RoofNeck flange may be installed from above or underneath the roof deck material.

RoofNeck™ Installation

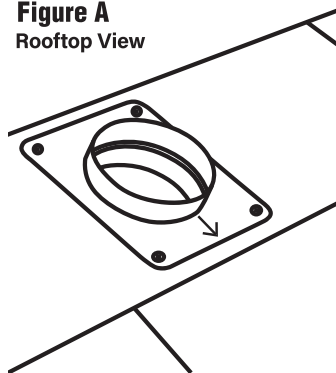
*Not designed for flat roof installation.

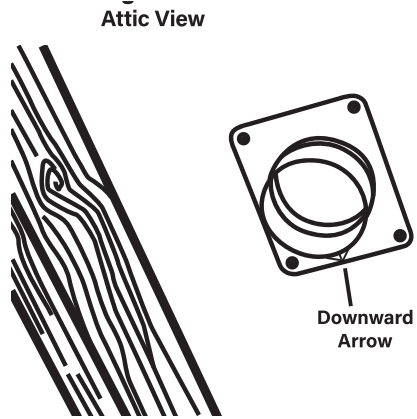
The RoofNeck is designed for added versatility. Ideal for use with DryerJack DJK477.

1. Determine location for roof vent installation. If replacing an existing roof vent, use caution as ductwork may be attached.
2. Cut 4-1/4" circular hole in roof deck material. Skip step if replacing an existing vent.
3. RoofNeck flange may be installed from above or underneath roof deck material.

From above roof deck, insert longer portion of collar into the hole. (Figure A)

Figure A
Rooftop View





4. Ensure the “→” on flange is pointing in the downward slope direction.
5. Screw flange to deck. Screw length should NOT be longer than roof deck material thickness.
6. Insert end of ductwork to the inside of RoofNeck collar. Secure with foil tape and mechanical fasteners per code. Adjustable elbow or elongated smooth elbow (Dryer Ell #LT45) may be needed to account for roof pitch.
7. Install roof vent per instructions.

*Disclaimer: Professional installation is recommended.



[Sitemap](#) | [Blog](#) | [Search](#) | [Contact](#) | [Locator](#)

RoofNeck Phone: 561-743-8696 Fax: 561-745-9723 Email: info@inovate.com

Office Hours: 8:30 am to 5:00 pm Eastern Monday Through Thursday, 8:30 am to 4:00 pm Eastern Friday.

Copyright © 2019-2023 InOvate Dryer Products All Rights Reserved 1-888-44 DRYER

By browsing this site you agree to the [Terms Of Use](#) and [Privacy Policy](#)

