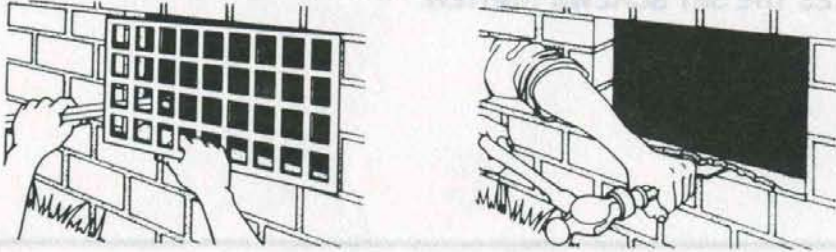


TEMP-VENT

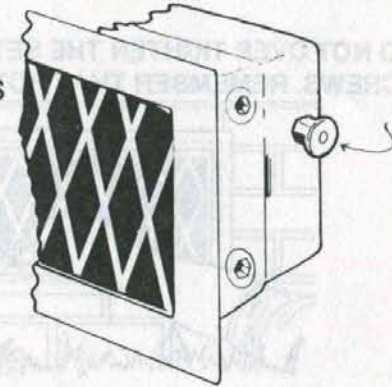
INSTALLATION INSTRUCTIONS: SERIES 6

(PERMANENTLY ATTACHED FRAME)

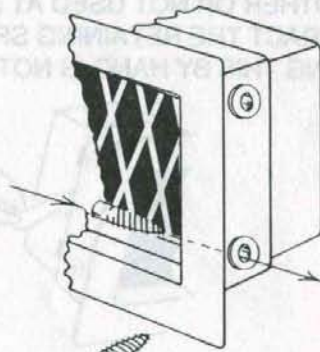
1. REMOVE OLD VENT AND CLEAN FOUNDATION OPENING SO THAT VENT FITS EASILY AND LOOSELY.



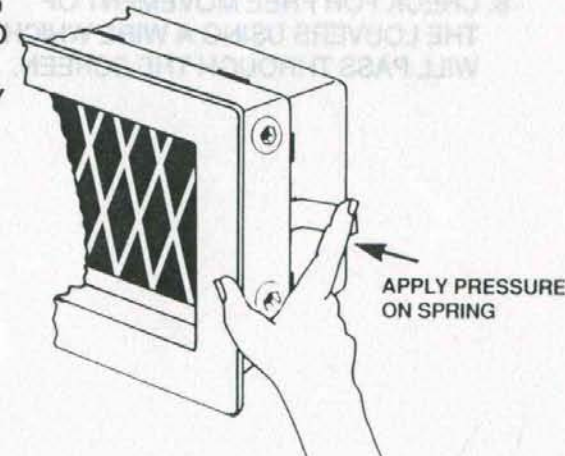
3. INSERT FLANGED HEX NUTS INTO EACH OPENING FROM THE OUTSIDE OF VENT. PRESS IN FIRMLY FOR A SNAP-FIT.



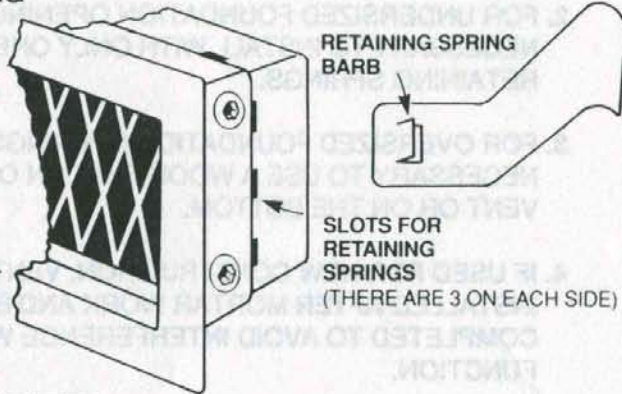
4. SCREW THE 4 SET SCREWS INTO THE HEX NUTS EVENLY FROM INSIDE TO OUTSIDE. THEY SHOULD NOT PROJECT PAST THE WALL OF THE VENT WHEN THE VENT IS INSERTED INTO THE FOUNDATION OPENING.



5. PLACE THE VENT IN THE WALL WHILE DEPRESSING THE SPRINGS BY HAND TO HELP THEM SLIDE IN. PRESS THE VENT TIGHTLY AGAINST THE WALL AND ALIGN.



2. INSERT BARB END OF RETAINING SPRINGS INTO SLOTS ON TWO OR THREE SIDES OF VENT WITH BARB UP.



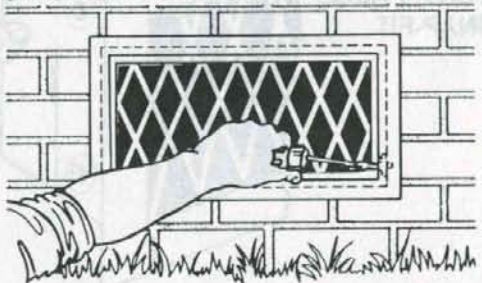
NOTE: USUALLY SPRINGS ON LEFT AND RIGHT SIDES IN THE CENTER SLOTS AND ONE ON THE BOTTOM CENTER WILL BE BEST. THREE SLOTS ON EACH SIDE ARE PROVIDED TO ALLOW FOR POSSIBLE IRREGULARITIES IN THE FOUNDATION OPENING.

MANUFACTURED BY
TEMP-VENT CORPORATION
SHELBY, MO 63152

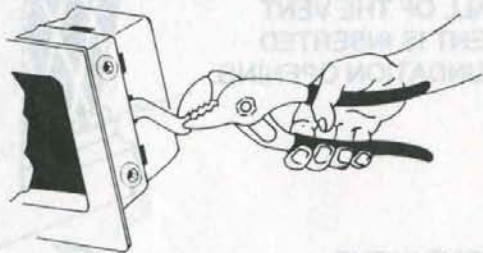
6. A) TIGHTEN ALL SCREWS TO CONTACT WALL. **CAUTION: IF TOO MUCH PRESSURE IS EXERTED ON SET SCREW BEFORE IT CONTACTS FOUNDATION WALL THE HEX NUT CAN BE DISLODGED.**

B) TIGHTEN EACH SCREW ONE HALF TURN AT A TIME STARTING WITH NO. 1 AND GOING IN ORDER UNTIL EACH HAS HAD ENOUGH HALF TURNS TO BE SNUG WITHOUT BEING TIGHT. THE SET SCREWS ARE FOR STABILITY ONLY. THE RETAINING SPRINGS GIVE THE HOLDING POWER IN MOST INSTALLATIONS.

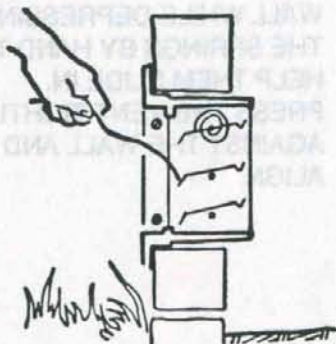
DO NOT OVER TIGHTEN THE SET SCREWS. WE CANNOT BE RESPONSIBLE FOR DAMAGE DUE TO CRACKING FROM OVER TIGHTENING THE SET SCREWS. REMEMBER THAT HOT WEATHER EXPANDS THE VENT AND MAKES THE SET SCREWS TIGHTER.



7. IF A RETAINING SPRING HAS TO BE MOVED FROM ONE SLOT TO ANOTHER OR NOT USED AT ALL, PLIERS SHOULD BE USED TO EXTRACT THE RETAINING SPRING. FORCE IS REQUIRED AND DOING THIS BY HAND IS NOT RECOMMENDED.



8. CHECK FOR FREE MOVEMENT OF THE LOUVERS USING A WIRE WHICH WILL PASS THROUGH THE SCREEN.



IMPORTANT NOTE

1. TEMP-VENT ADVISES THAT RETAINING SPRINGS BE USED TOGETHER WITH SET SCREWS TO PREVENT LOOSENING IN COLD WEATHER.
2. FOR UNDERSIZED FOUNDATION OPENINGS, IT MAY BE NECESSARY TO INSTALL WITH ONLY ONE OR TWO RETAINING SPRINGS.
3. FOR OVERSIZED FOUNDATION OPENINGS, IT MAY BE NECESSARY TO USE A WOOD SHIM ON ONE SIDE OF THE VENT OR ON THE BOTTOM.
4. IF USED FOR NEW CONSTRUCTION, VENTS SHOULD BE INSTALLED **AFTER** MORTAR WORK AND BACK FILLING ARE COMPLETED TO AVOID INTERFERENCE WITH LOUVER FUNCTION.

MANUFACTURED BY
TEMP-VENT CORPORATION
SHELBY, NC 28150