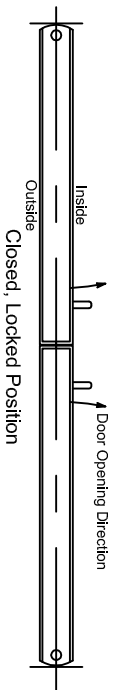


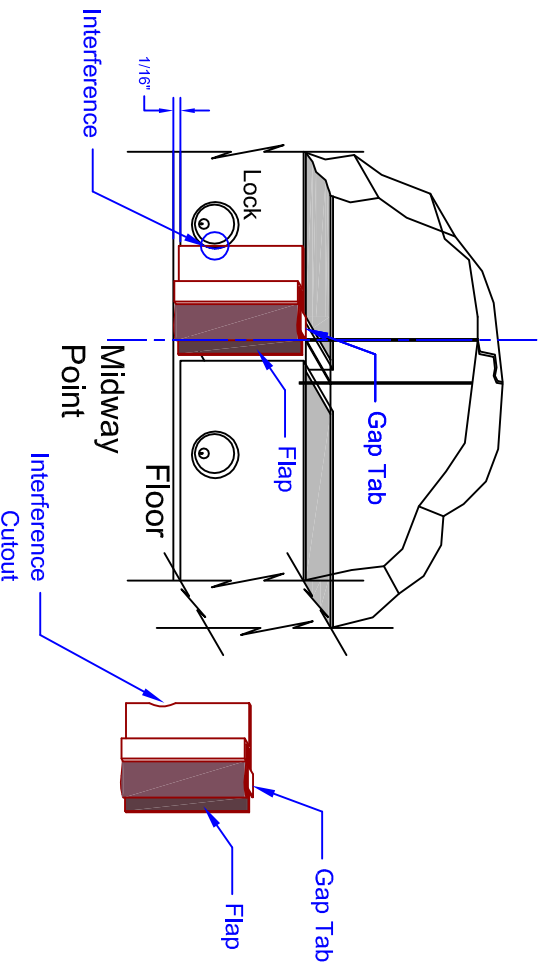
Xcluder Astragal Door Bottom Seal Installation Guidelines

Before installation: A) Make sure the doors close properly. B) Remove any seal material that may interfere with Xcluder. C) Make sure the doors' surfaces are not warped; Xcluder will not seal properly on warped doors.

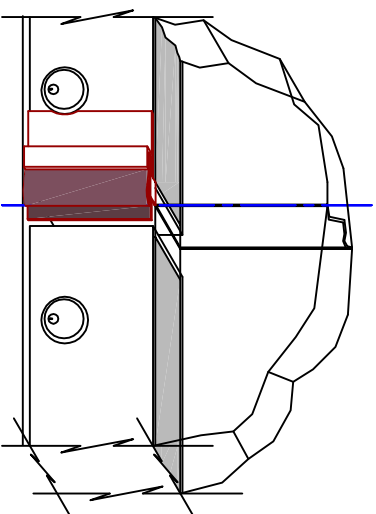
1. Install Xcluder Astragal seals with the doors in the closed, locked position. Two seals are required for double doors.



2. On the outside of the door, hand place an Xcluder astragal seals on one of the doors such that the edge of the seal is midway between the gap between the doors and about $\frac{1}{16}$ " off the floor. The flap will extend slightly beyond the midway point between the doors.

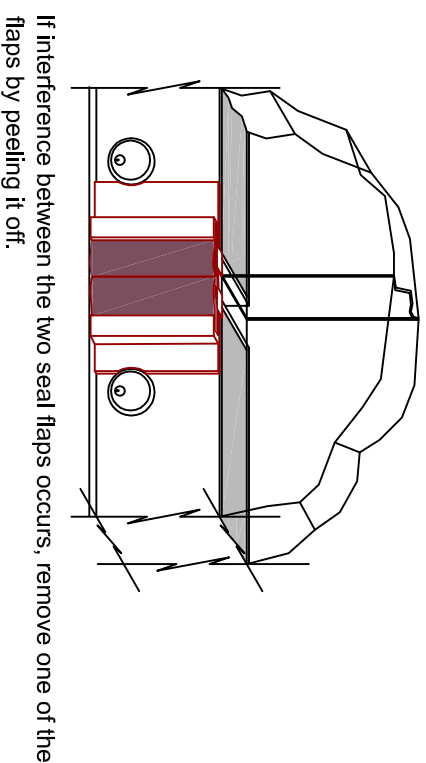


4. Clean the mounting surface with rubbing alcohol. Peel the blue protective tape off of the seal's adhesive tape, position it as before and gently affix it to the door. Once the seal is in the correct position, firmly press it in place.



If a substantial portion of the seal's mounting plate was removed to eliminate interferences, use the two self-tapping mounting screws provided for a more secure mounting.

5. Repeat steps 2-4 with the second seal on the other door. The seals should be mounted such that they just touch one another, but up to a $\frac{1}{32}$ " gap between seals is acceptable for preventing rodent entry.



Xcluder Astragal Door Bottom Seal Installation Guidelines



3. Check for interferences from locks, latches, etc. with the seal bracket. Mark the location of interferences and cut or file the astragal seal bracket to eliminate the interference. The Gap Tab is intended to eliminate the gap between the seal and the door panel; if the tab is too long, it can be shortened to fit.